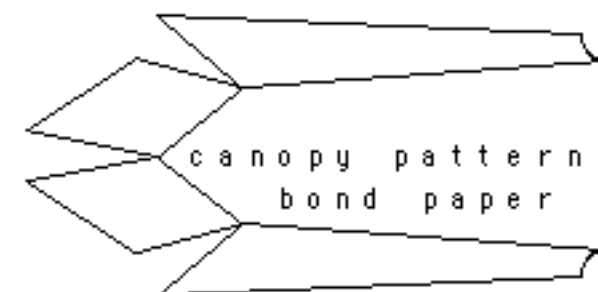
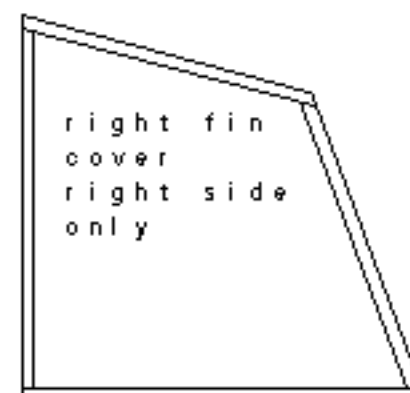
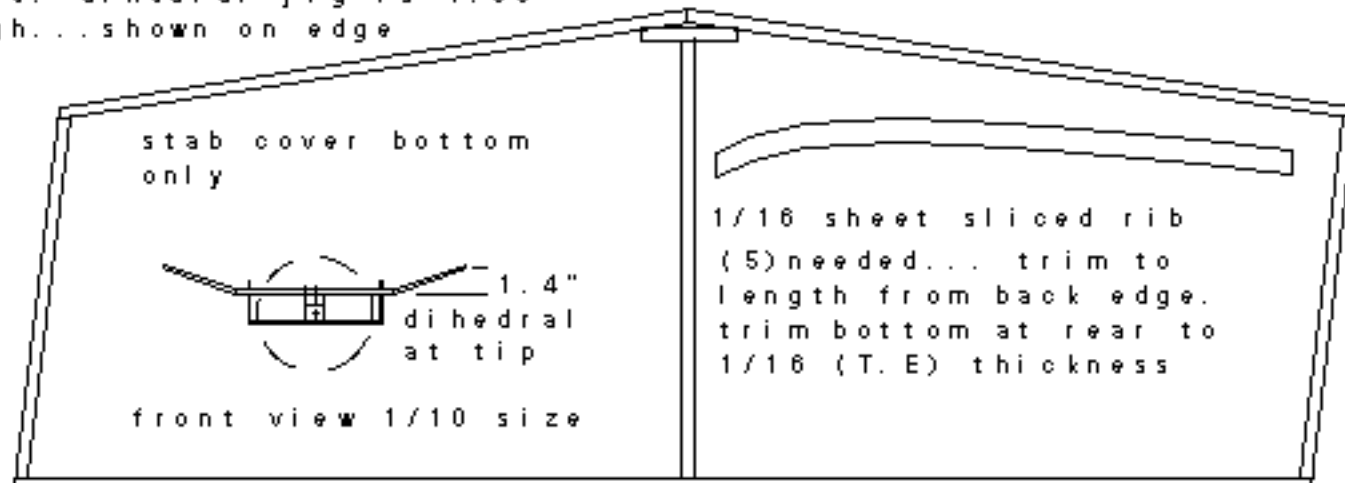
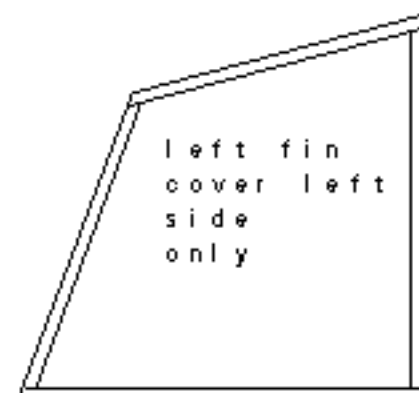


note: dihedral jig is 1.00" high... shown on edge



NOTES

1. all wood is 1/16 square except as noted
2. ...cover with wrinkled paper...no dope or paint
3. ...use PECK 6" plastic prop.
4. ...use clay ballast for pitch trim

BIG PUSSYCAT
Dick Baxter 2 Siros
Laguna Niguel Ca. 92677

