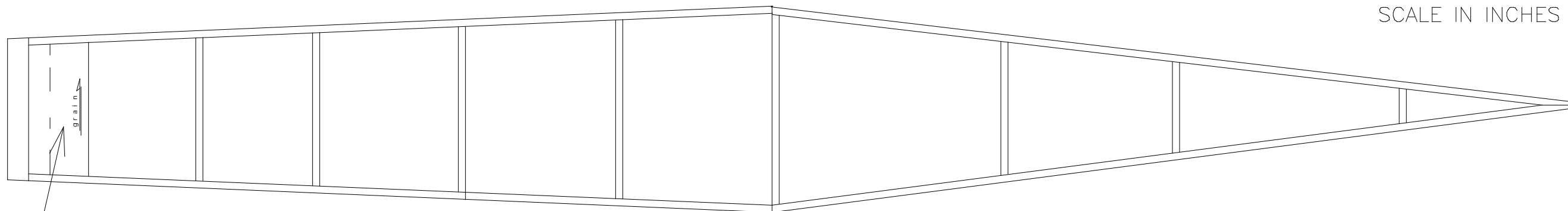


Top View

(body only)



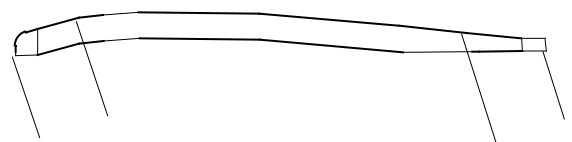
SCALE IN INCHES pdf 04-20-02 by Thayer Syme



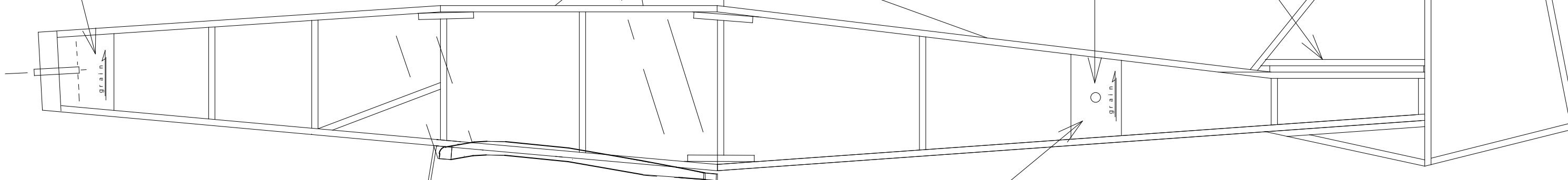
cut 1/2 way through and bend and reglue to shape body.

Cover fin on right side only
Stab shown shaded

1/16 sheet



3/32 Al tube
rubber anchor



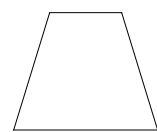
1/16 sheet

Side View

X E 5

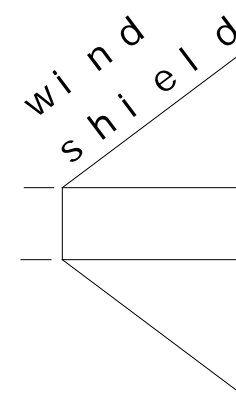
sheet 1

Dick Baxter
 2 Siros
 Laguna Niguel, CA
 92677 12/10/98

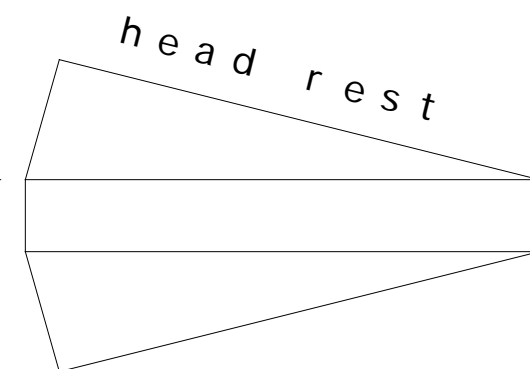


— fold
— fold

head rest
bulkhead
1/16 sheet



wind
shield



head
rest

bond paper or cut from plan

1/8 sq

1" dihedral jig here to get 1.5" tip dihedral

Top Wing

cover top surface only

1/16 x 1/8

dih. jig goes here

dih. jig here

1/16 x 1/8

dihedral cut line

1/8 sq.

flush with bottom of wing L.E. note tip rib

tapers down to 1/16 thick at tip

Lower Wing

cover top surface only

no paper in cntr. panel

space these ribs to bracket body. move if necessary

1/16 x 1/8

dih. jig goes here

dih. jig here

6
5
4
3

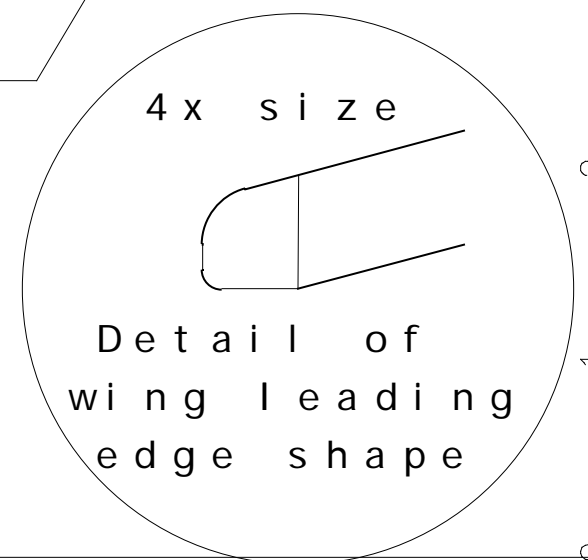
XE5

sheet 2

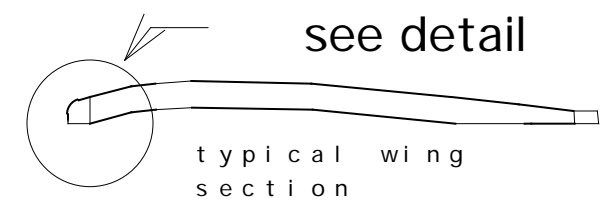
Stab

cover top surface only

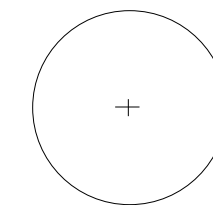
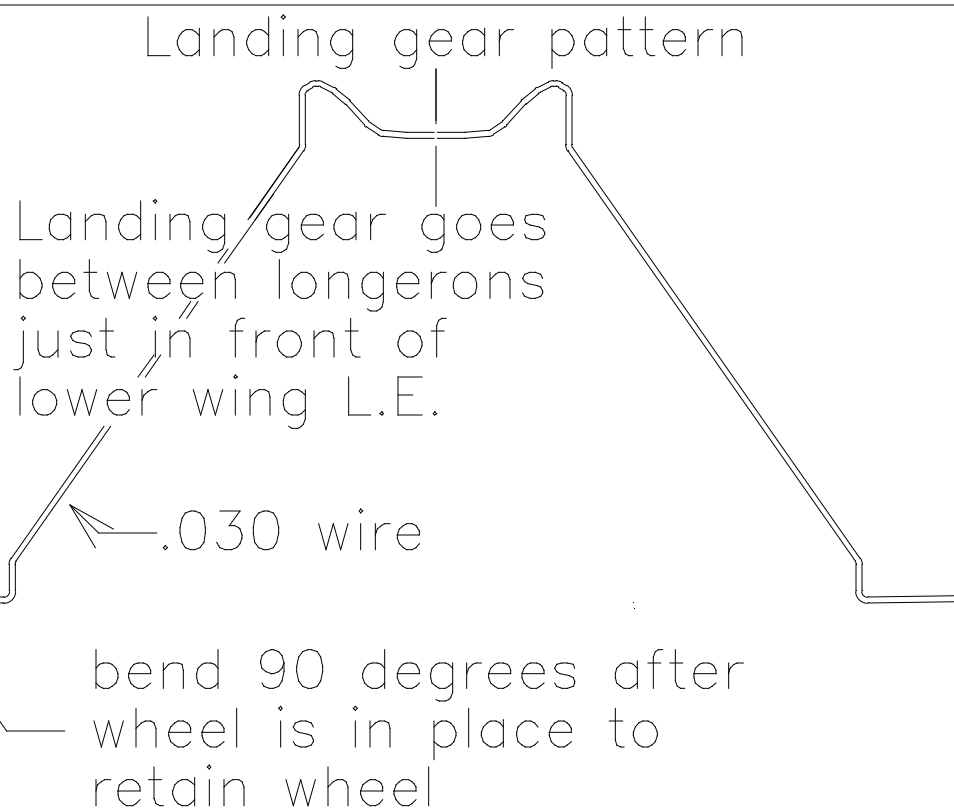
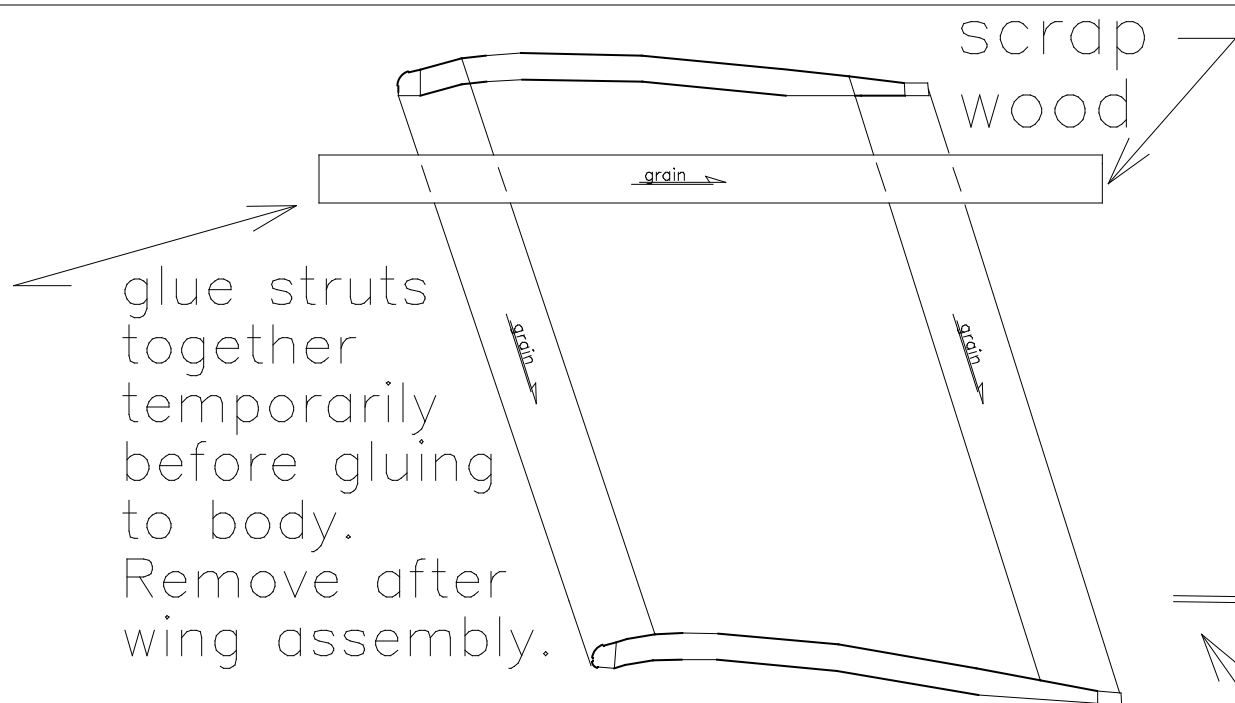
1/16 x 1/8



see detail



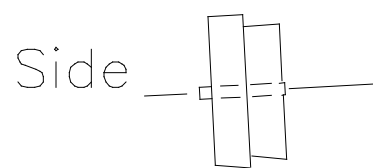
SCALE IN INCHES pdf 04-20-02 by Thayer Syme



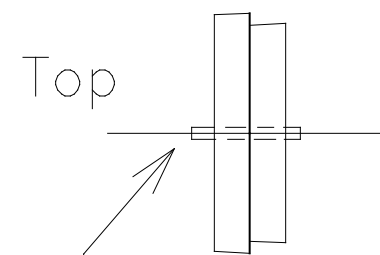
Wheel make from cross laminated 1/16 sheet, 2 layers. Use a quarter glued lightly to the laminations for a pattern. remove quarter and pierce with .030 wire, coat with DUCO cement for bearing.

Wing struts

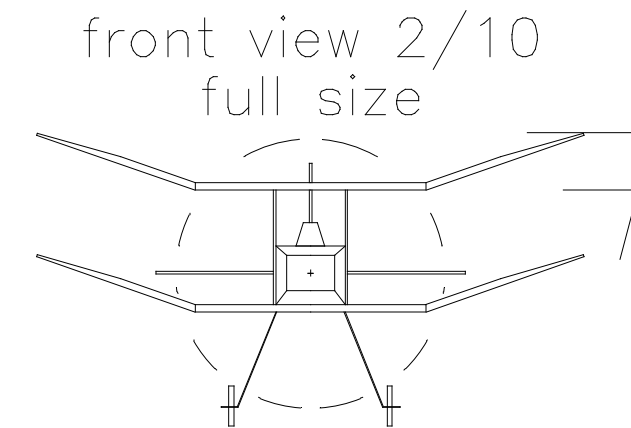
Make from 1/16x3/8 sheet. glue to outside of fuselage as shown on side view. Top end of struts attach to outside of tip wing center section ribs. Bottom end of struts attach to the top of lower wing center section ribs.



Nose block make from 2 layers of 3/16 sheet glued cross grain.



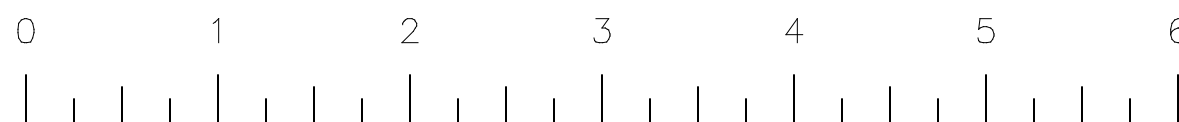
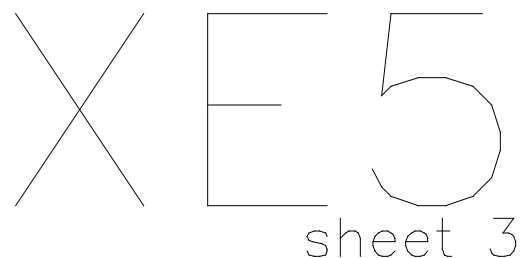
prop bearing is 1/16 o.d. aluminum tube



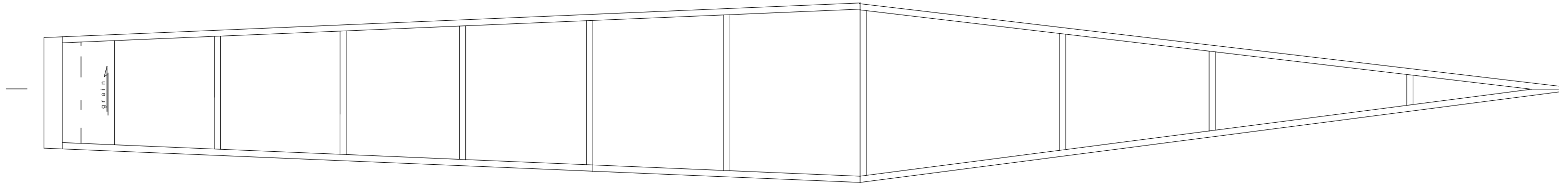
1/16 sheet sliced rib 12 needed. trim to length from back edge. trim bottom at rear to 1/16 (te) thickness.

NOTES

1. cover with wrinkled tissue to avoid warps.
2. use a 7" Peck Polymers prop. use a bead for a thrust washer. use .030 wire prop shaft.
3. all wood size is 1/16 sq except as noted
4. use a lopo of 1/8 or 3/16 rubber
5. use clay ballast to set pitch trim. start with CG near 50% chord on top wing.
6. washout outboard wing tip for spiral dives
7. try downthrust/sidethrst for hi power trim.



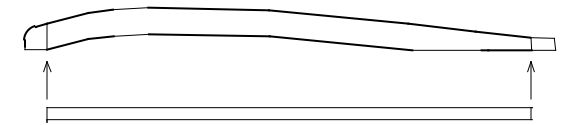
Top View (body only)



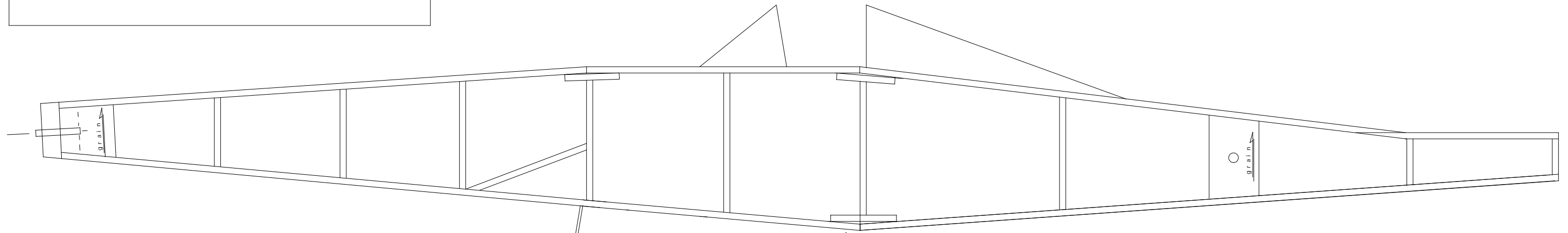
Changes for EMBRYO version

1. make wing flat bottomed
2. extend nose of fuselage
3. cover all surfaces on both sides

cut 1/2 way through and bend and reglue to shape body.



Add 1/16 sq rib bottom on inboard side of each wing rib.



Side View

X E 5

sheet 4

Dick Baxter
 2 Siros
 Laguna Niguel, CA
 92677 12/10/98



SCALE IN INCHES pdf 04-20-02 by Thayer Syme